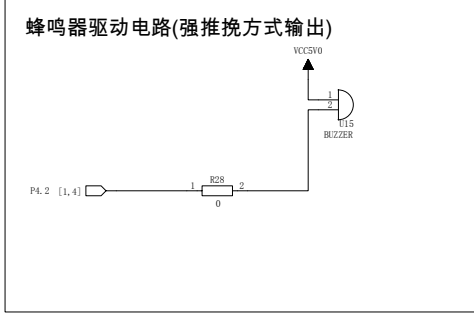
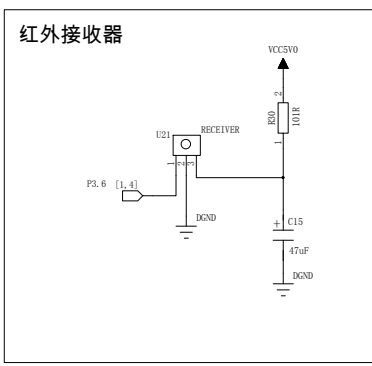
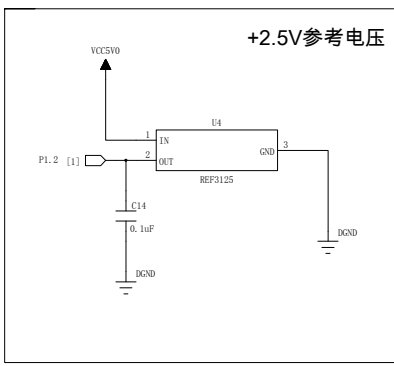
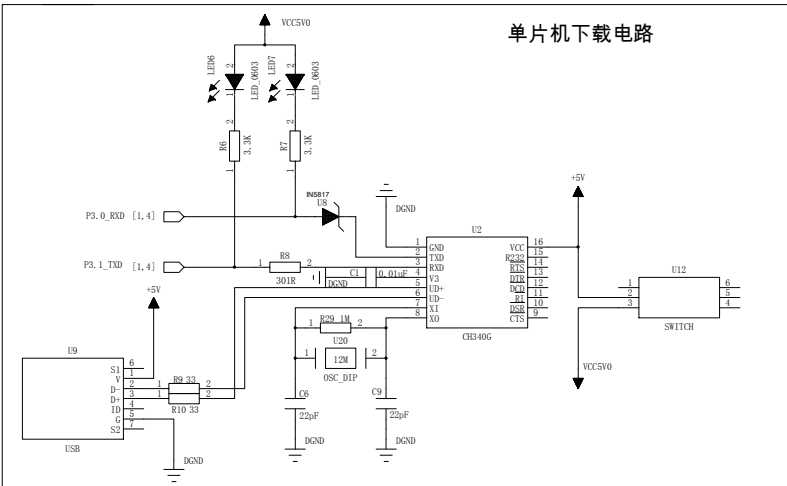
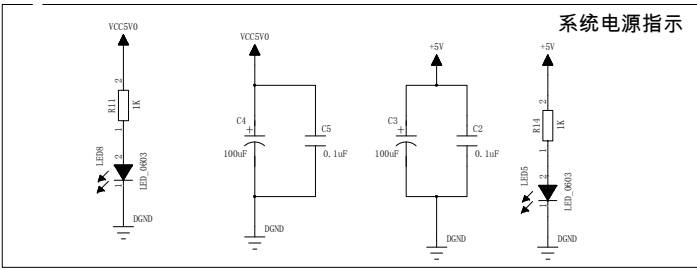
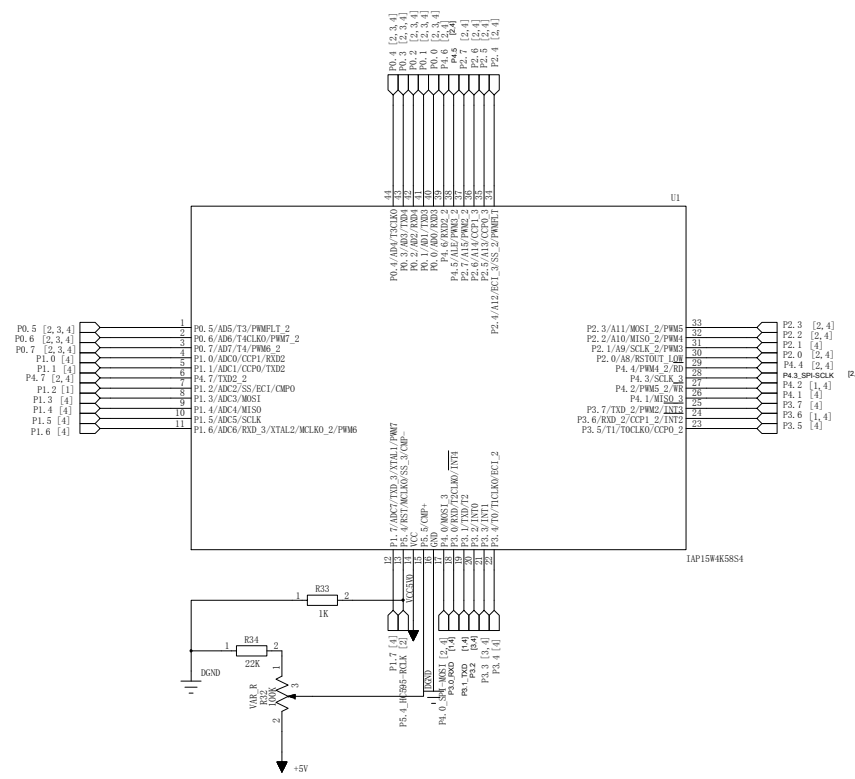


REVISION RECORD			
LTR	ECO NO:	APPROVED:	DATE:



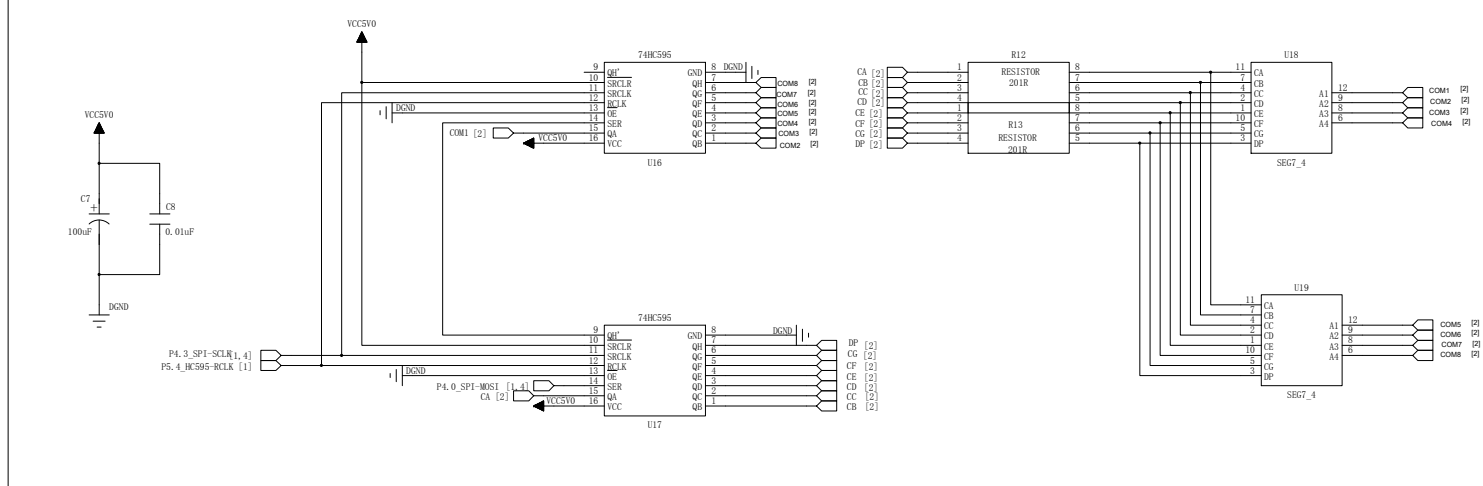
COMPANY: 北京汇众新特科技有限公司

TITLE: STC单片机开发板

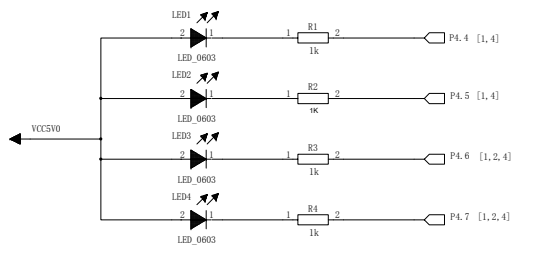
DRAWN: 何奕	DATED: 2015/05/01	CODE: 20150501	SIZE: C	DRAWING NO: GPNT-SMK-1	REV: 1.0
CHECKED: 何奕	DATED: 2015/05/05				
QUALITY CONTROL: 何奕	DATED: 2015/05/10	SCALE: 1 : 1			
RELEASED: 何奕	DATED: 2015/05/15	SHEET: 1 OF 4			

REVISION RECORD			
LTR	ECO NO:	APPROVED:	DATE:

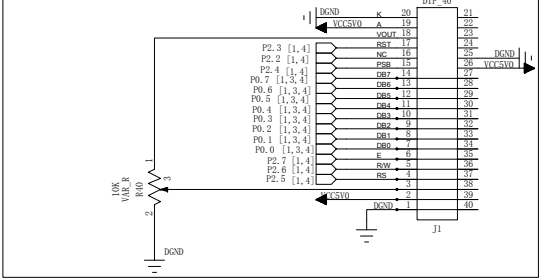
### 七段数码管驱动电路



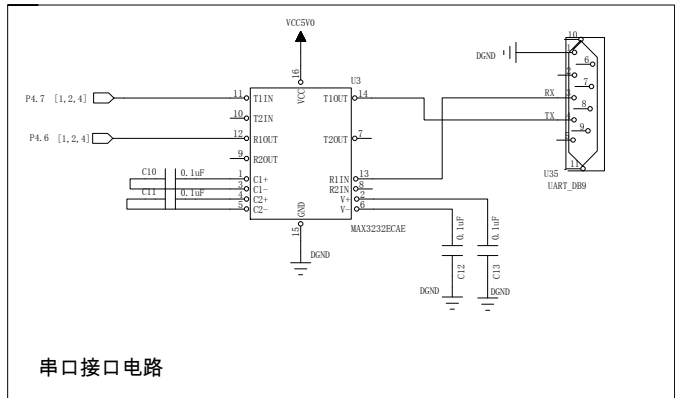
### LED驱动电路



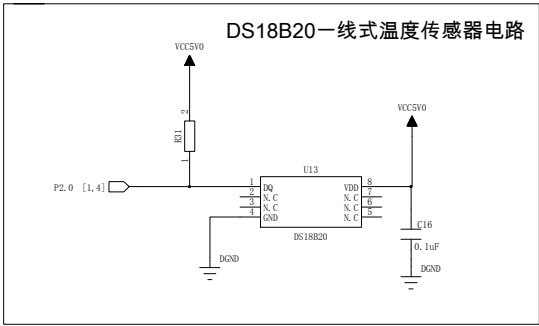
### 12864/1602屏接口电路



### 串口接口电路

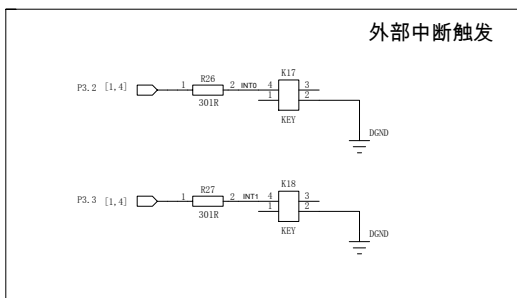
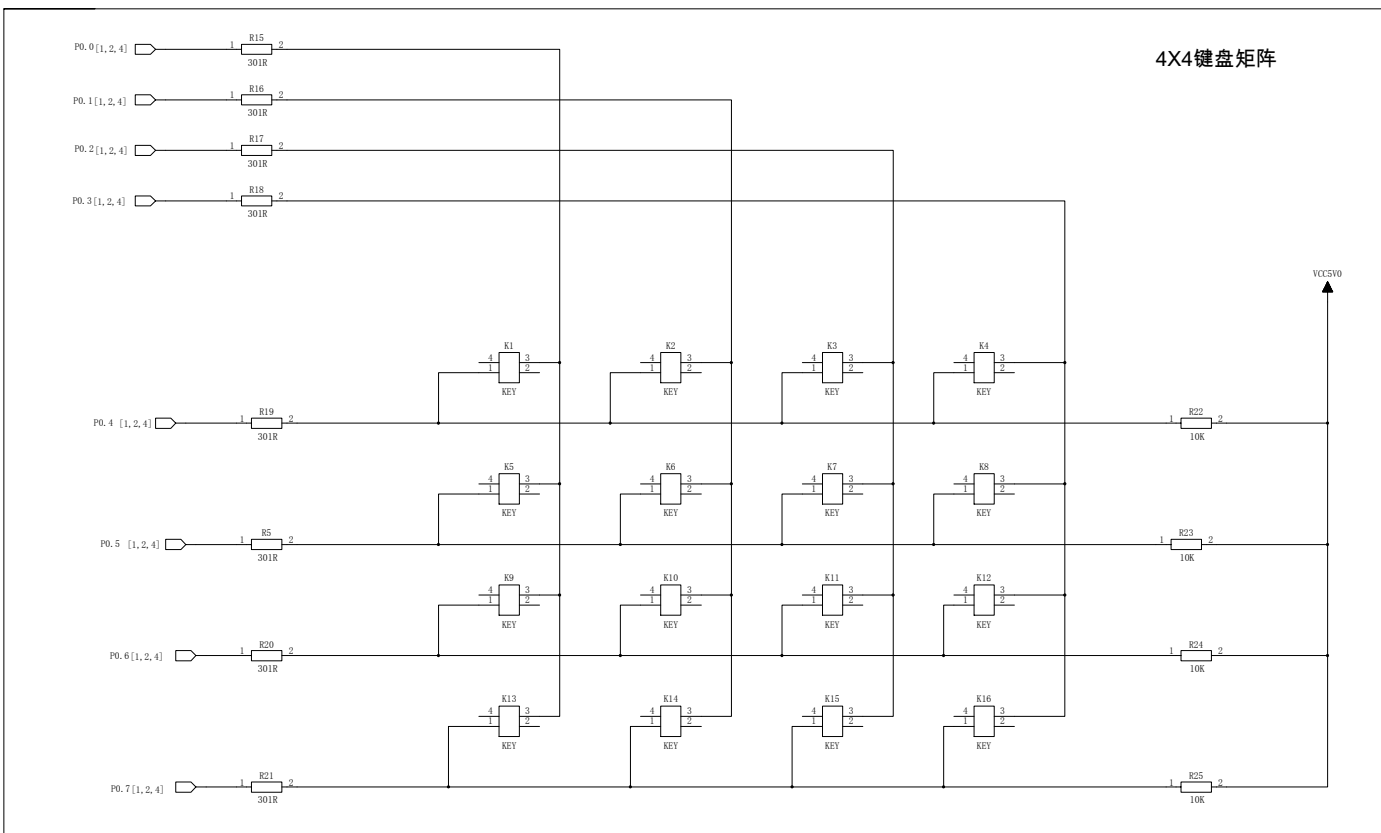


### DS18B20一维式温度传感器电路



COMPANY: 北京汇众新特科技有限公司			
TITLE: STC单片机开发板			
DRAWN: 何宾	DATED: 2015/05/01	CODE: 20150501	SIZE: C
CHECKED: 何宾	DATED: 2015/05/05	DRAWING NO: GPNT-SMK-1	REV: 1.0
QUALITY CONTROL: 何宾	DATED: 2015/05/10	SCALE: 1: 1	SHEET: 2 OF 4
RELEASED: 何宾	DATED: 2015/05/15		

REVISION RECORD			
LTR	ECO NO:	APPROVED:	DATE:



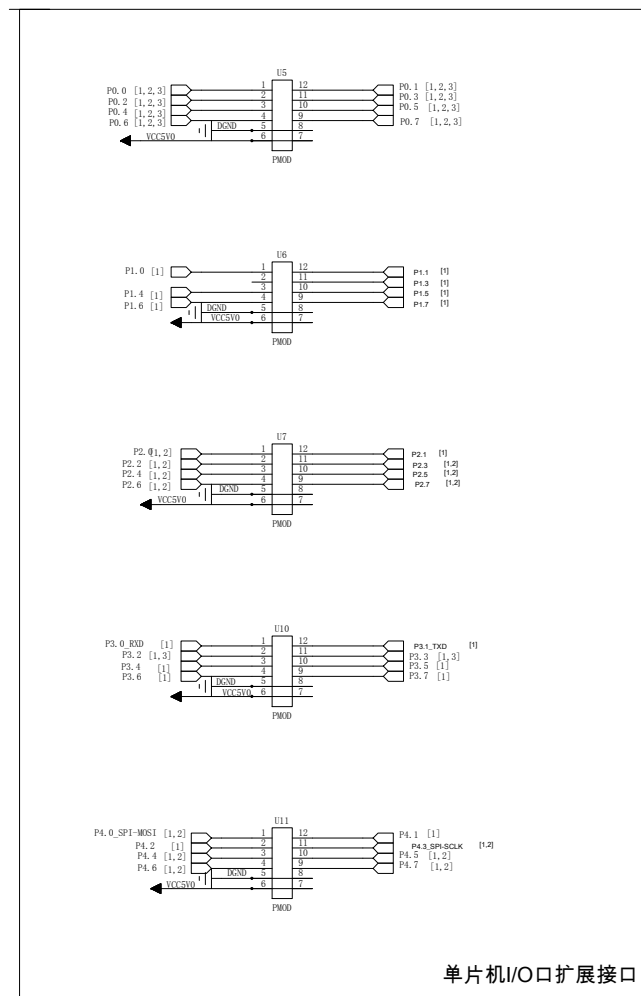
COMPANY: 北京汇众新特科技有限公司

TITLE: STC单片机开发板

DRAWN:	何宾	DATED:	2015/05/01
CHECKED:	何宾	DATED:	2015/05/05
QUALITY CONTROL:	何宾	DATED:	2015/05/10
RELEASED:	何宾	DATED:	2015/05/15

CODE:	SIZE:	DRAWING NO:	REV:
20150501	C	GPNT-SMK-1	1.0

REVISION RECORD			
LTR	ECO NO:	APPROVED:	DATE:



单片机I/O口扩展接口

COMPANY: 北京汇众新特科技有限公司

TITLE: STC单片机开发板

DRAWN:	何宾	DATED:	2015/05/01
CHECKED:	何宾	DATED:	2015/05/05
QUALITY CONTROL:	何宾	DATED:	2015/05/10
RELEASED:	何宾	DATED:	2015/05/15

CODE:	SIZE:	DRAWING NO:	REV:
20150501	C	GPNT-SMK-1	1.0
SCALE: 1: 1		SHEET: 4 OF 4	